



- Read instruction completely before installation.
- Turn off electricity before wiring.
- Only qualified personal should install the unit.
- Installation must comply with the NEC
- Ensure the unit has input, output voltage and output wattage proper for your application.
- Ensure the installation environment is ventilated.
- Ensure the load is not overload.

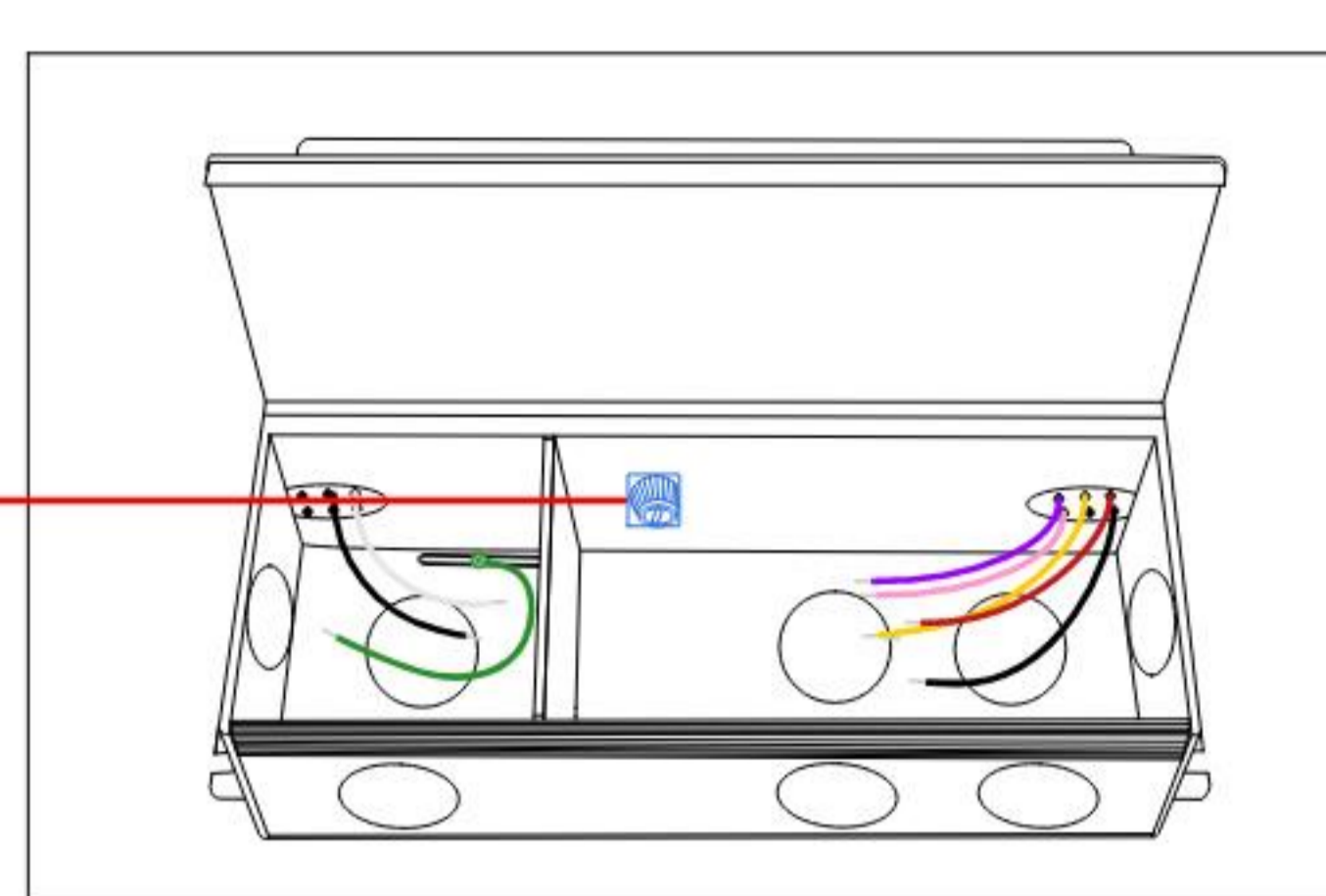
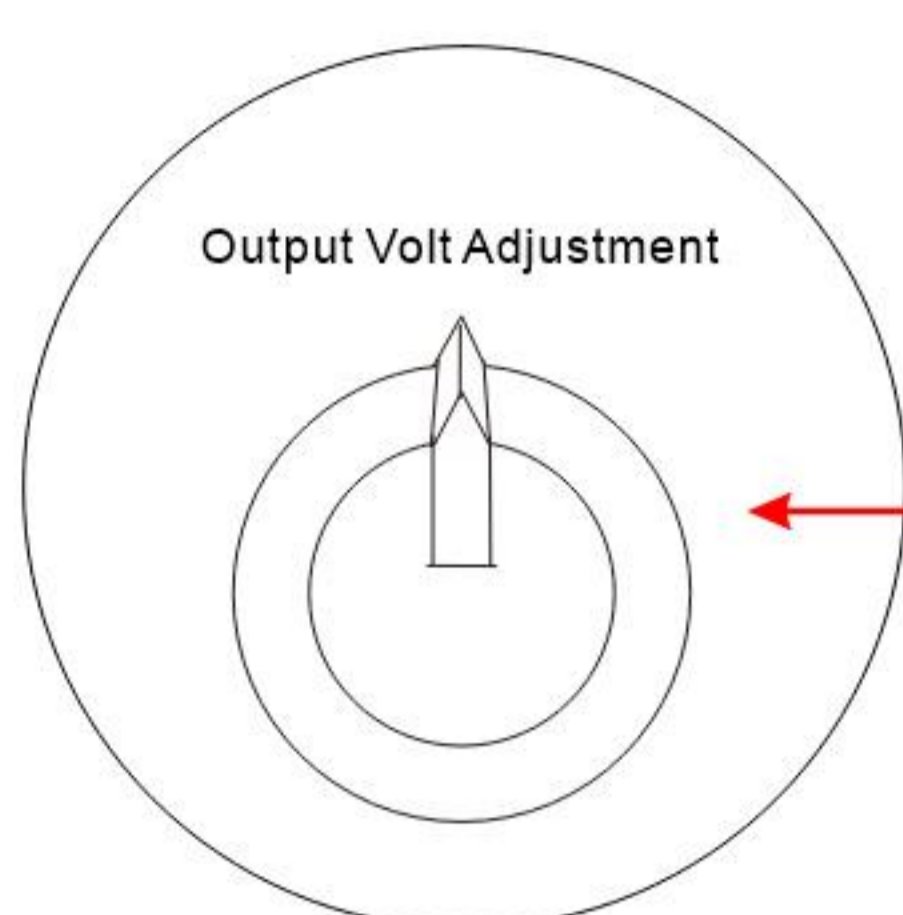


Function Introduction

Fine tune voltage

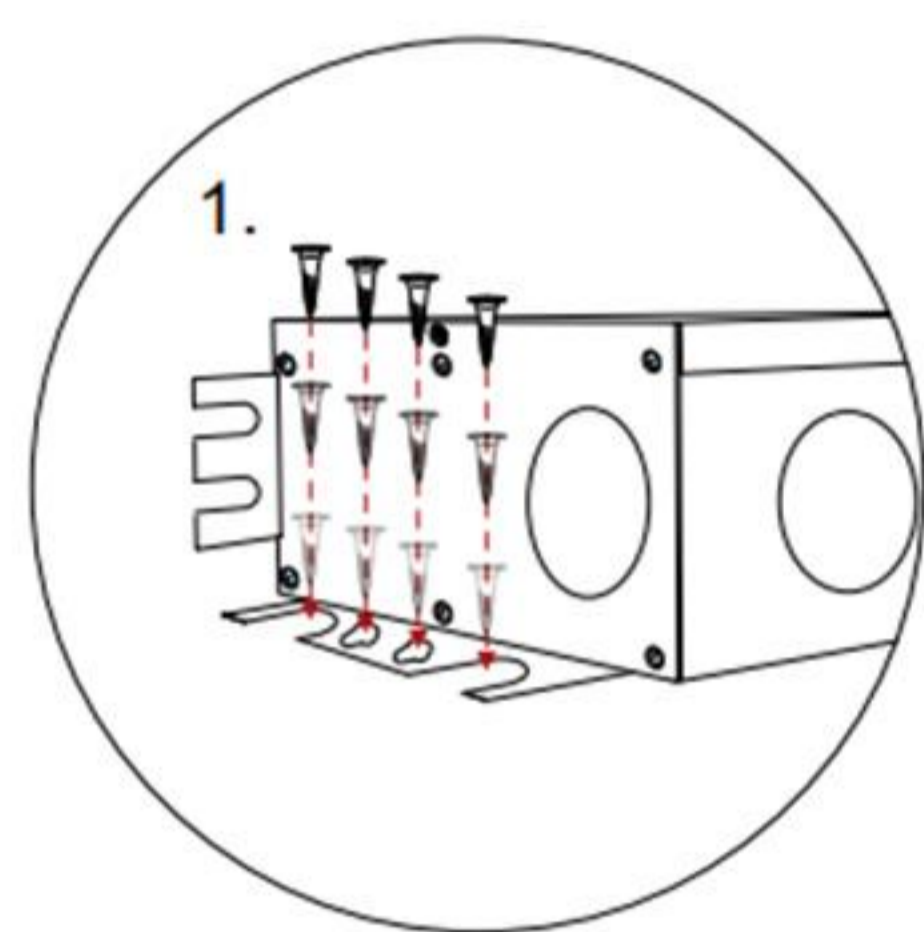
See below:

- 12V output: 9V-13V
- 24V output: 17V-25V
- 48V output: 36V-49V

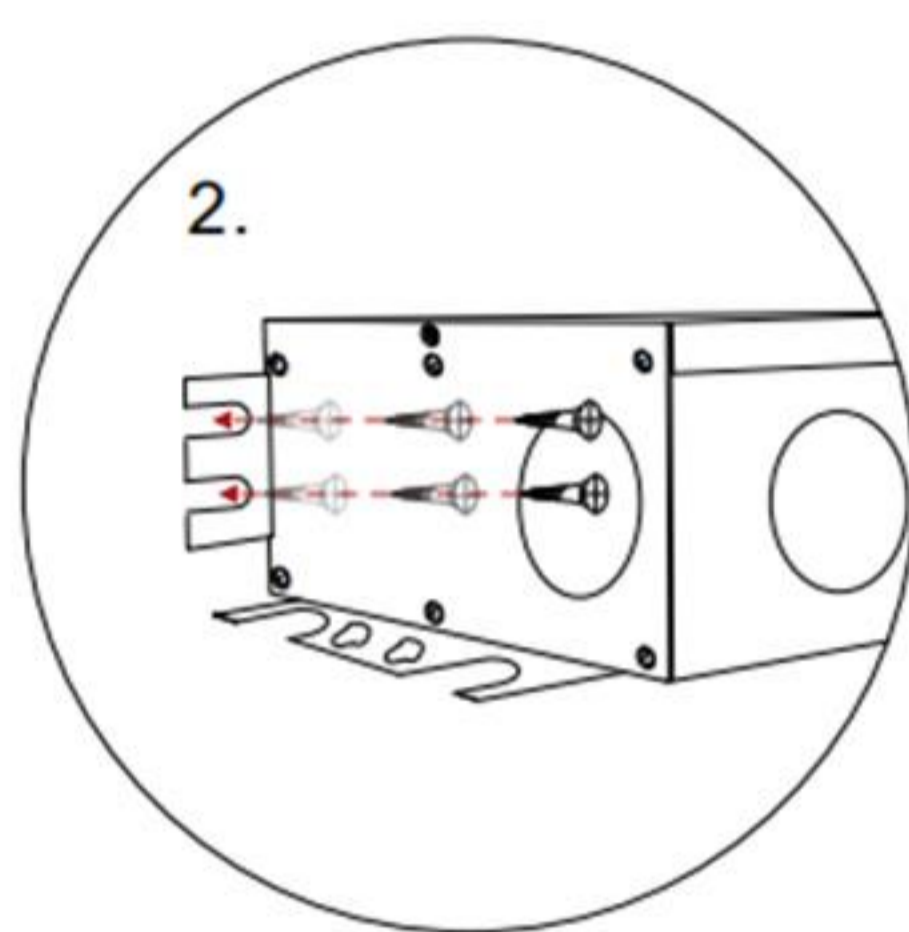


Mounting

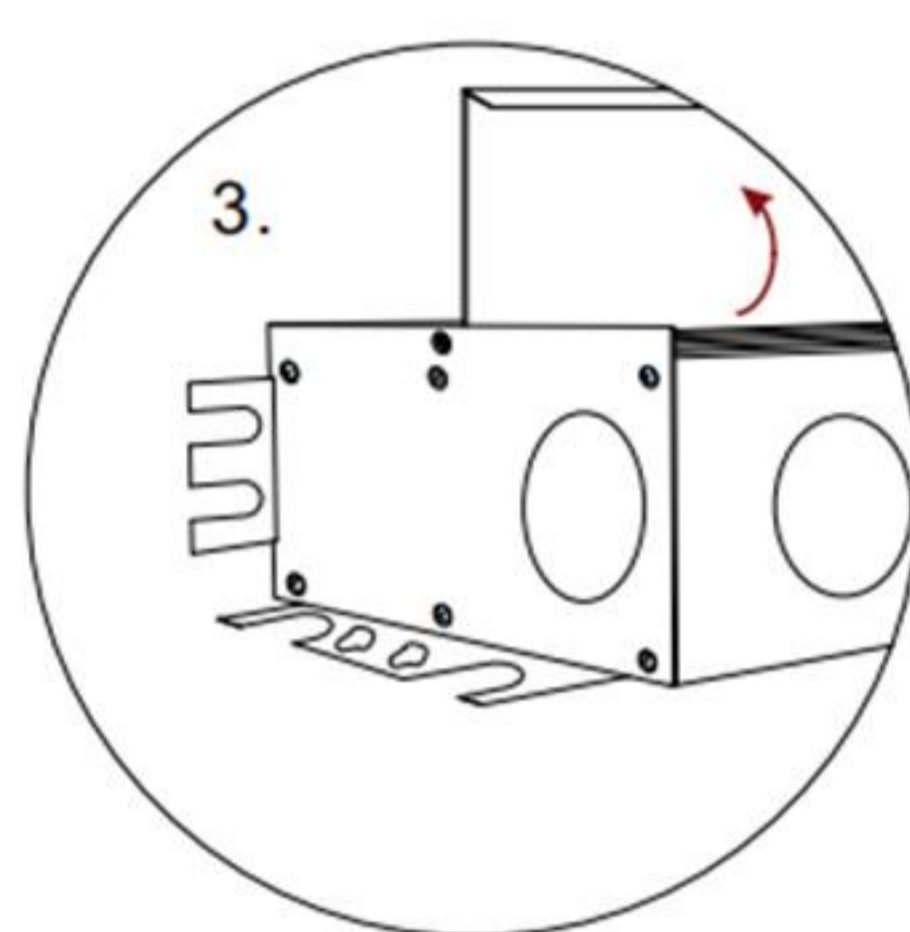
1. This driver must be installed in a well-ventilated area free from explosive gases and vapors. Air circulation is essential for heat dissipation.
2. The LED driver must be mounted in at least 5" of a free flow air space for proper ventilation.
3. The LED driver must never be mounted next to or above heat radiated objects. The Maximum ambient temperature should not exceed 50 deg. C (122 deg. F). Suitable for dry, damp and wet location, IP65. (Vertical mounting is highly recommended.)
4. Select an appropriate location that is able to support the weight of the product.
5. Use the mounting tabs on the left and right side of the driver to mount the product.



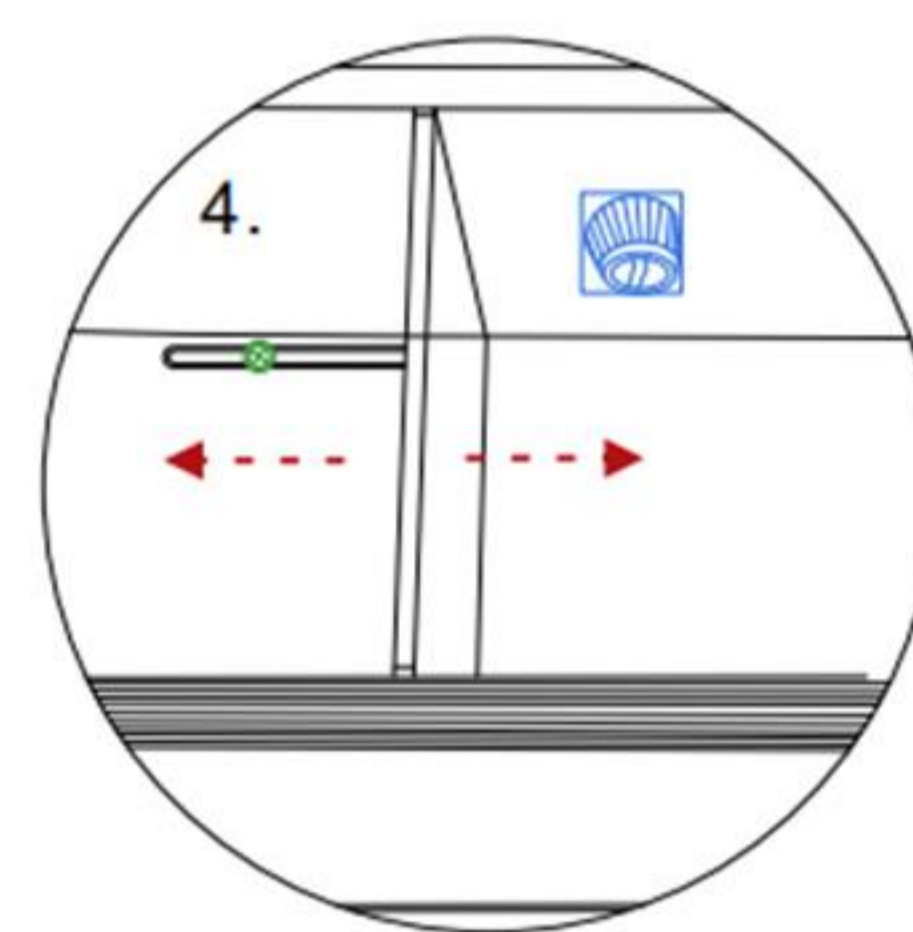
Vertical mounting



horizontal installation

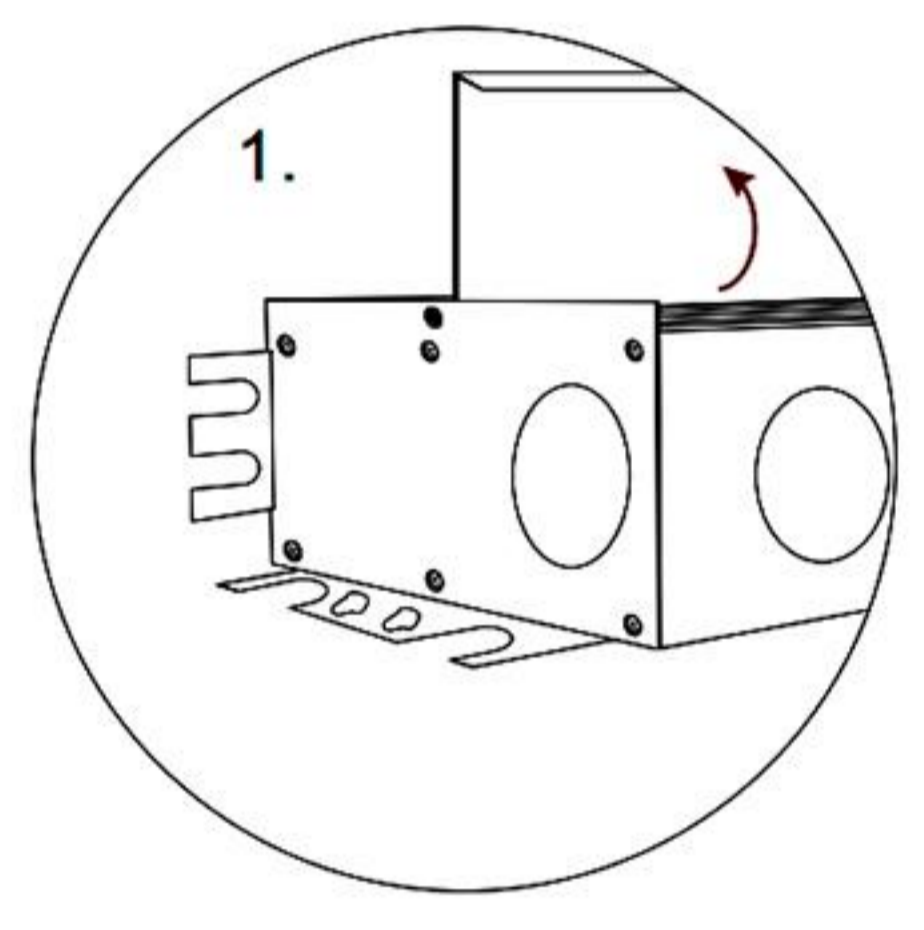


rotary flap without screws structure

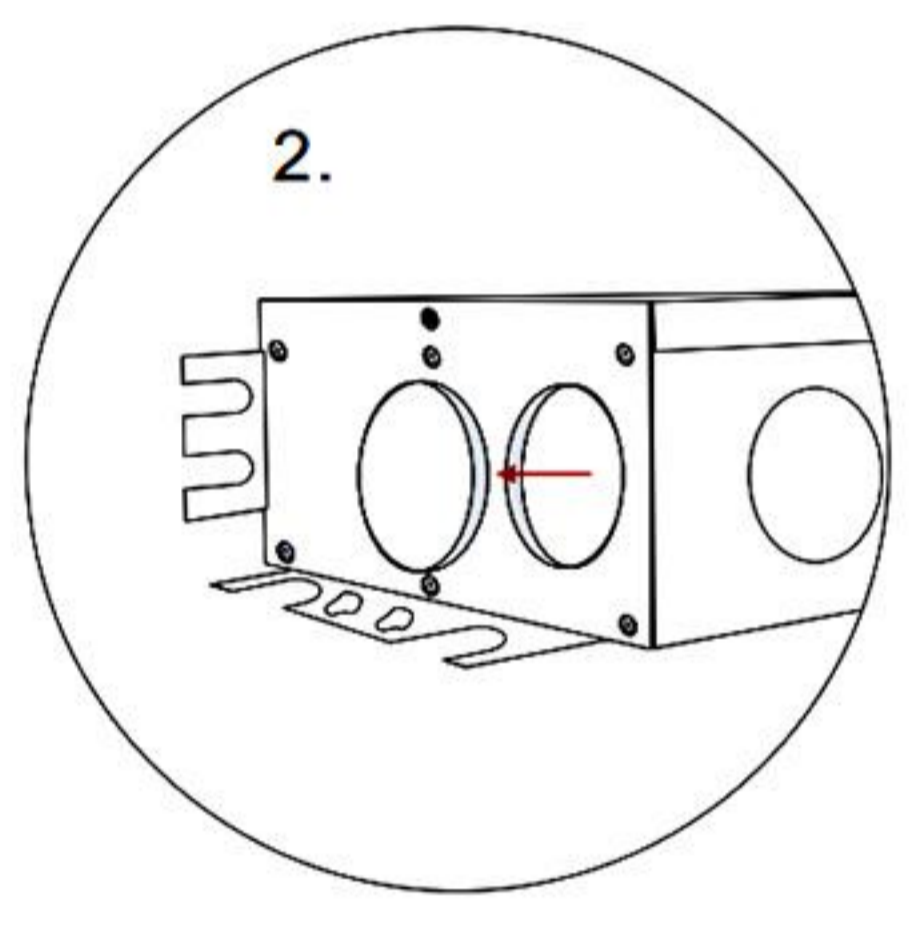


Mobile baffle, strong and weak electric isolation, flexible adjustment of strong and weak electric space size

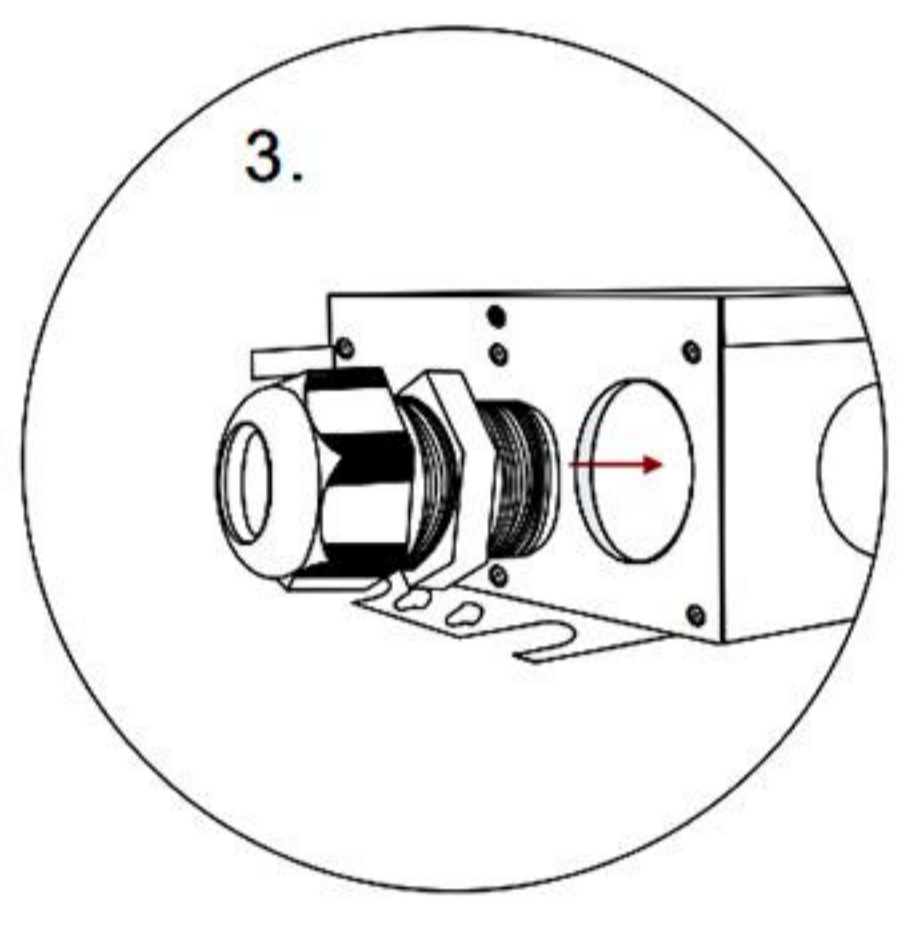
Connection Preparation



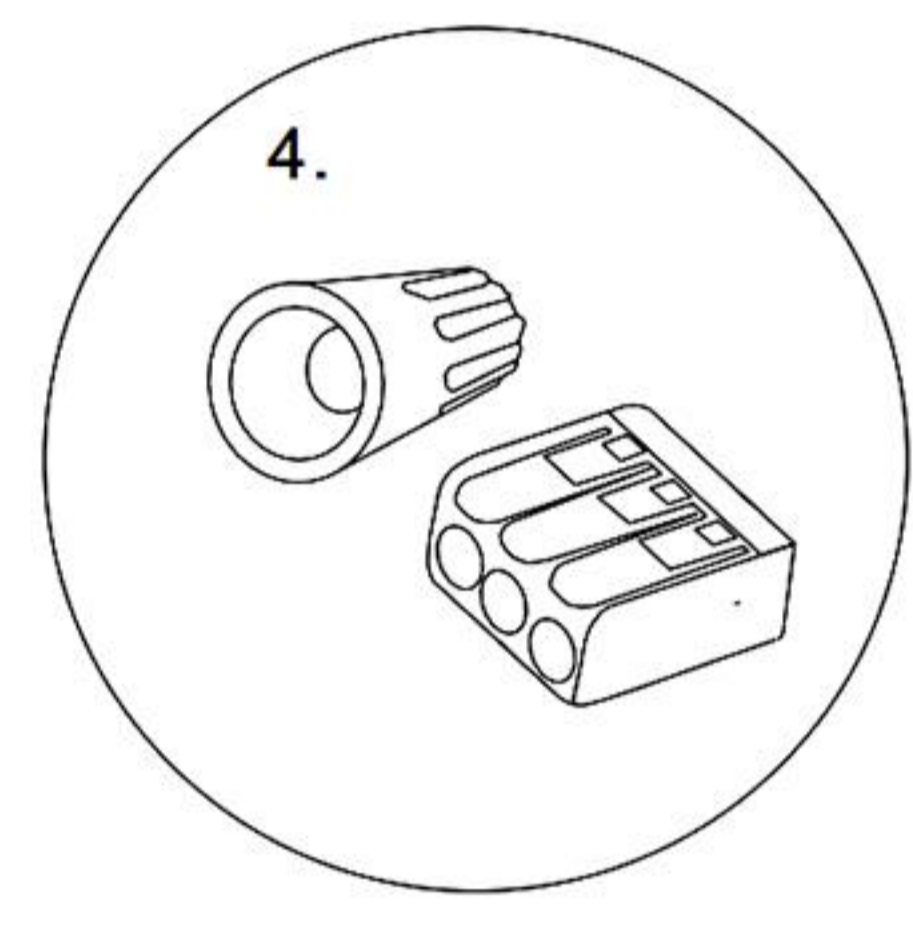
Open face cover



Remove the desired knockouts for both input and output.

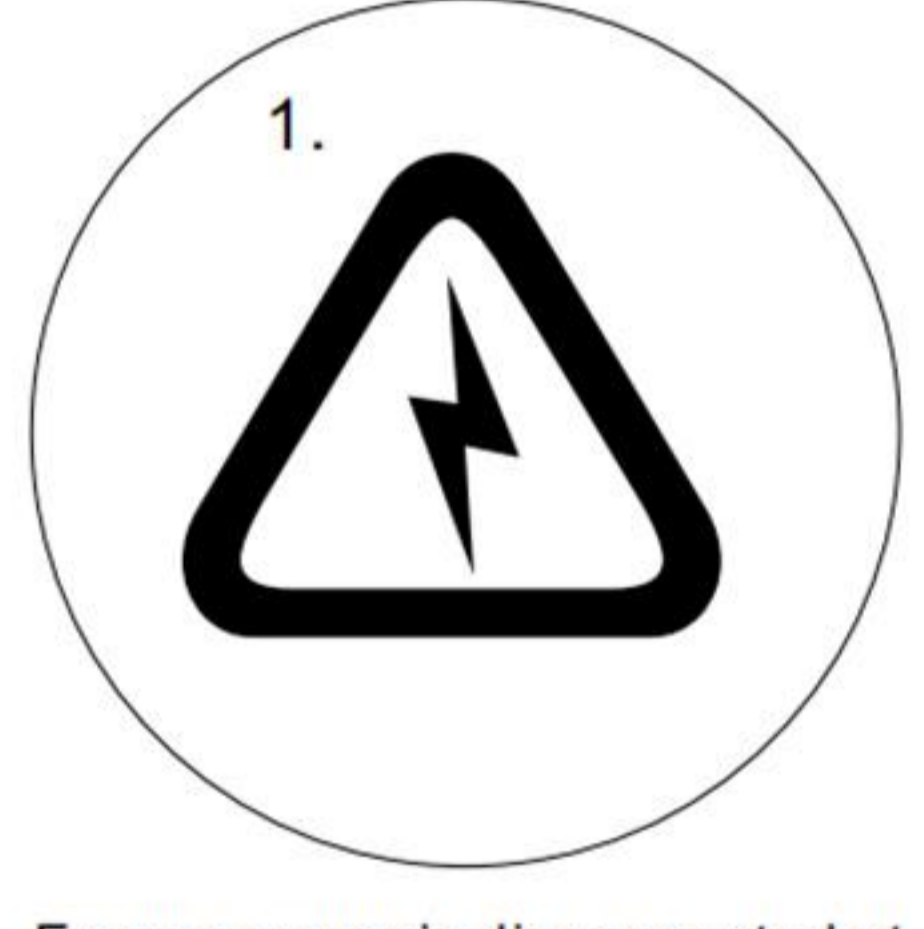


Install your choice of wire strain reliefs (not included). Use the appropriate sized wire gauge and connectors.

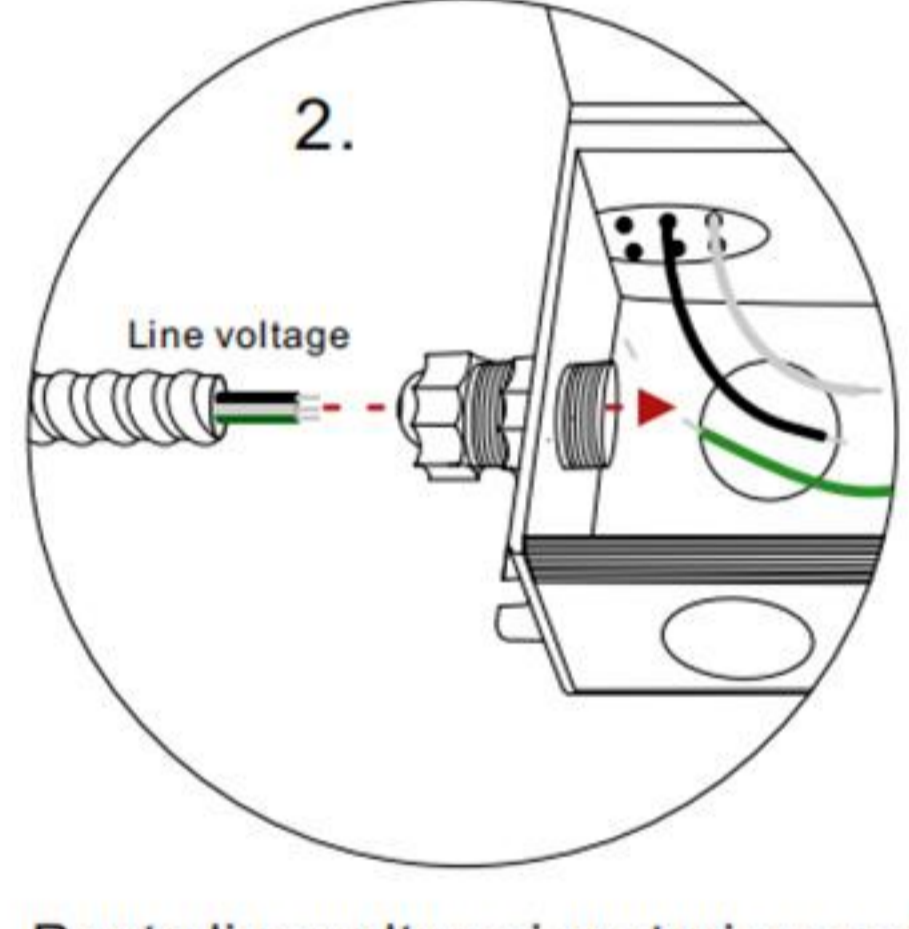


Only used certified components in accordance with national and local electric codes.

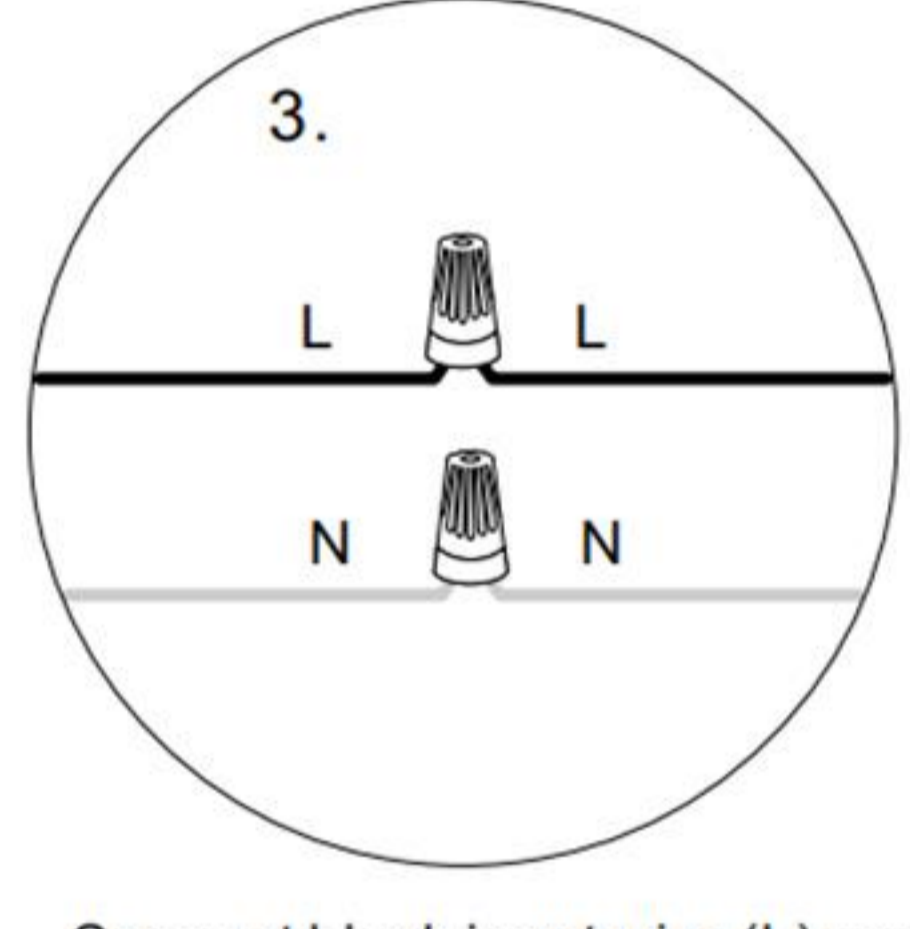
Input Connections & Grounding



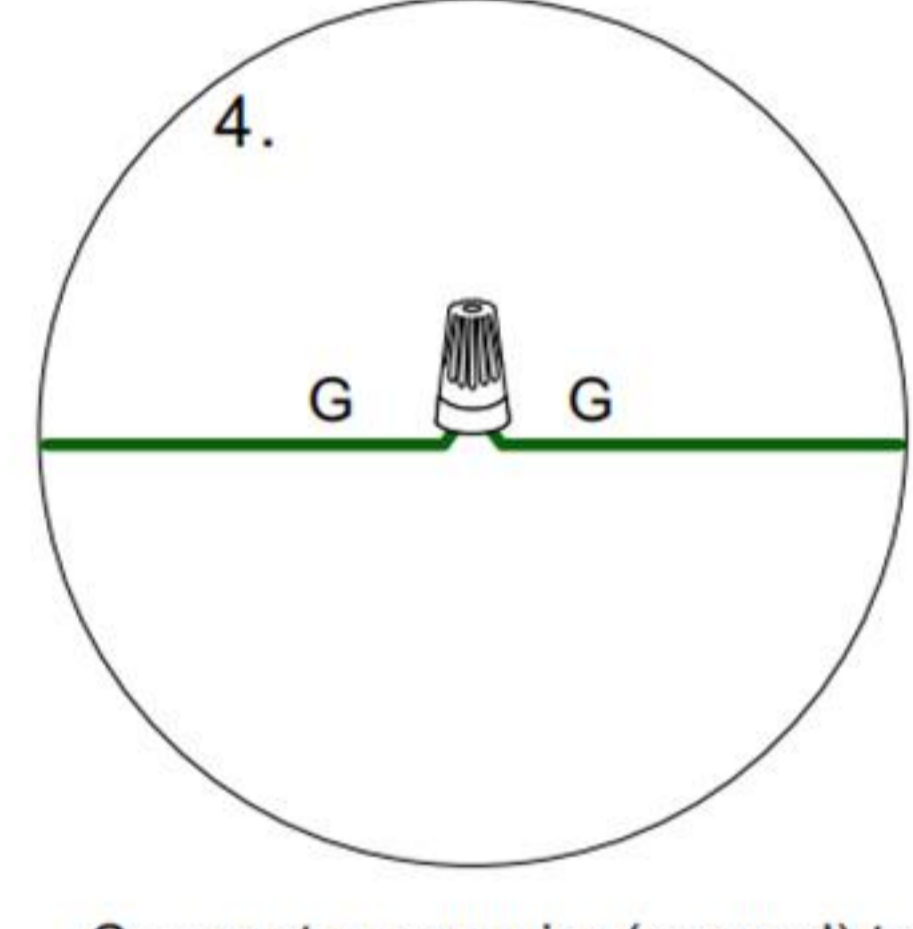
Ensure power is disconnected at the source



Route line voltage input wires and ground wire through strain relief and knockout.

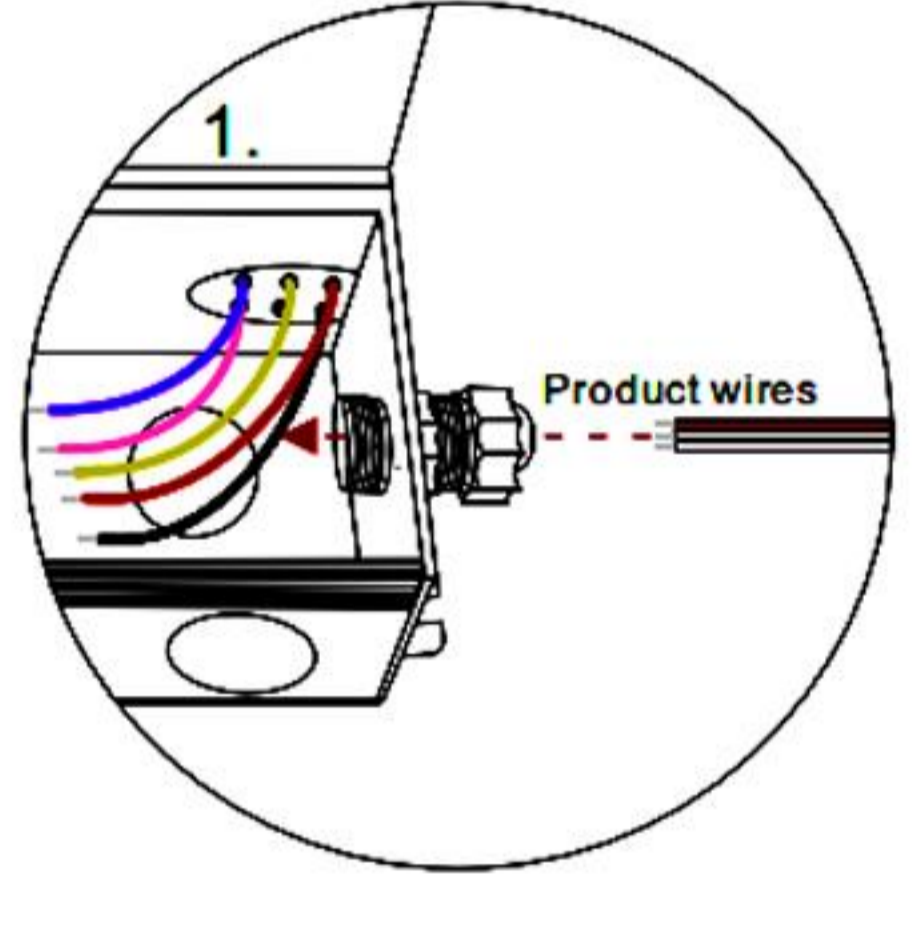


Connect black input wire (L) and white input wire (N) to line voltage.

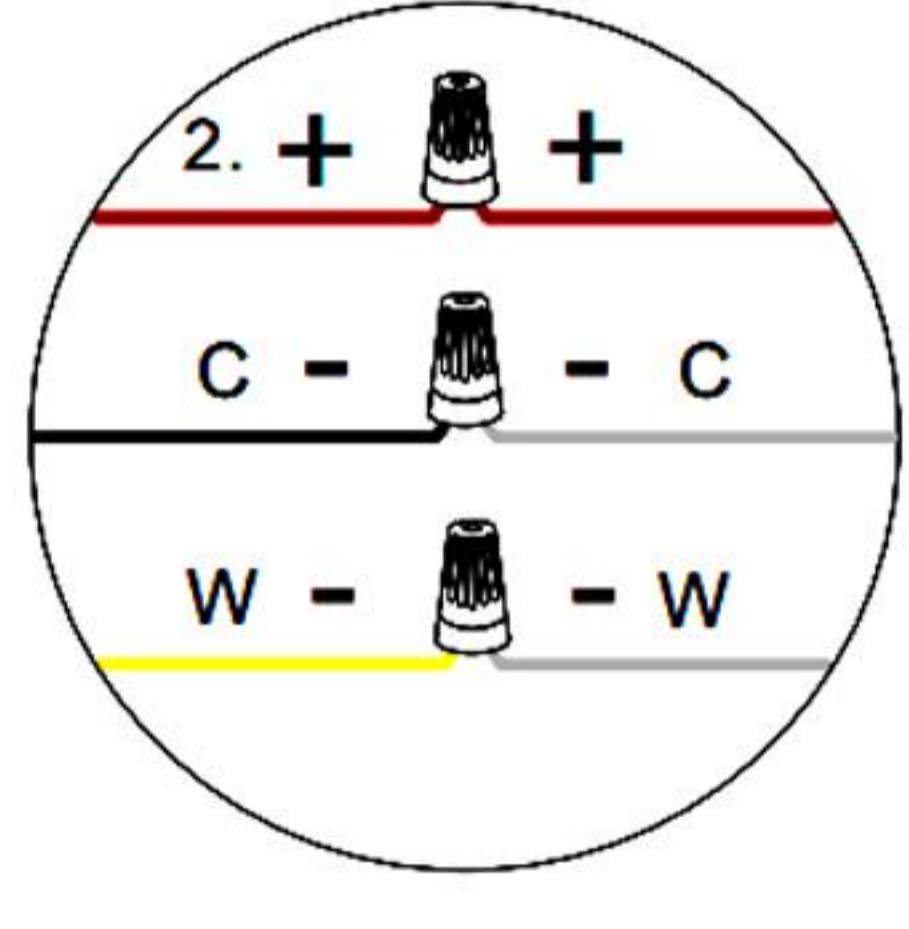


Connect green wire (ground) to input ground wire.

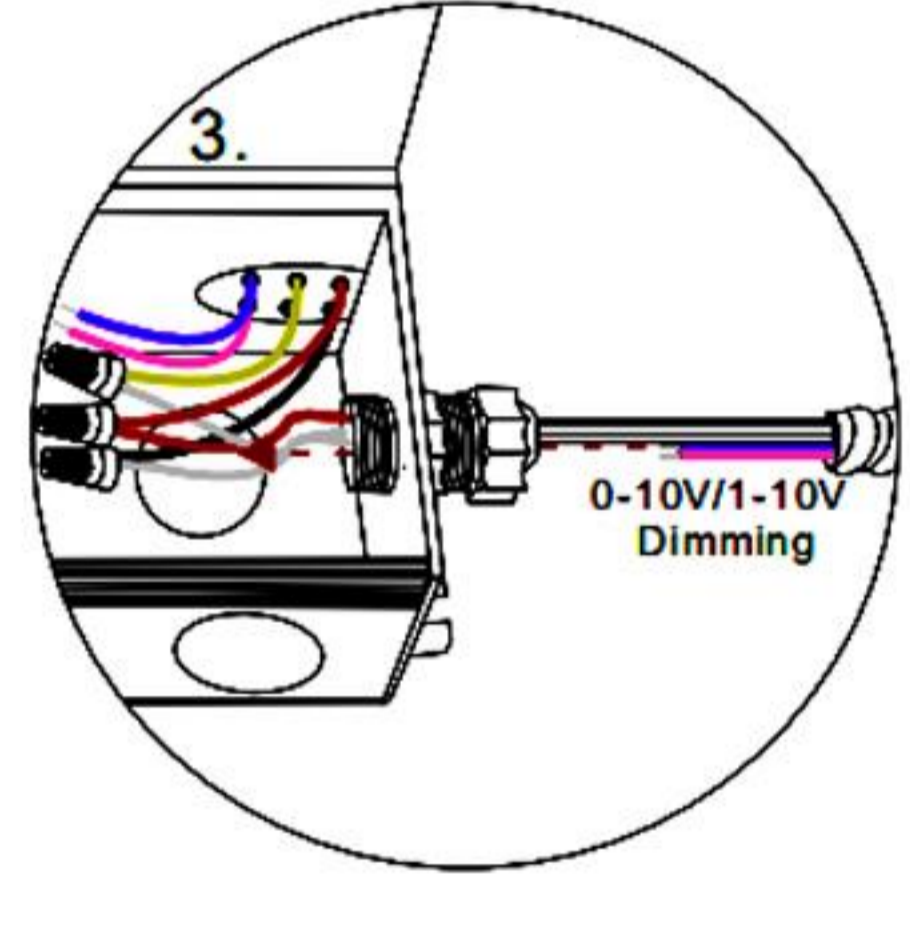
Output Connections-dual channel CW color temperature LED strip/tape (3wires)



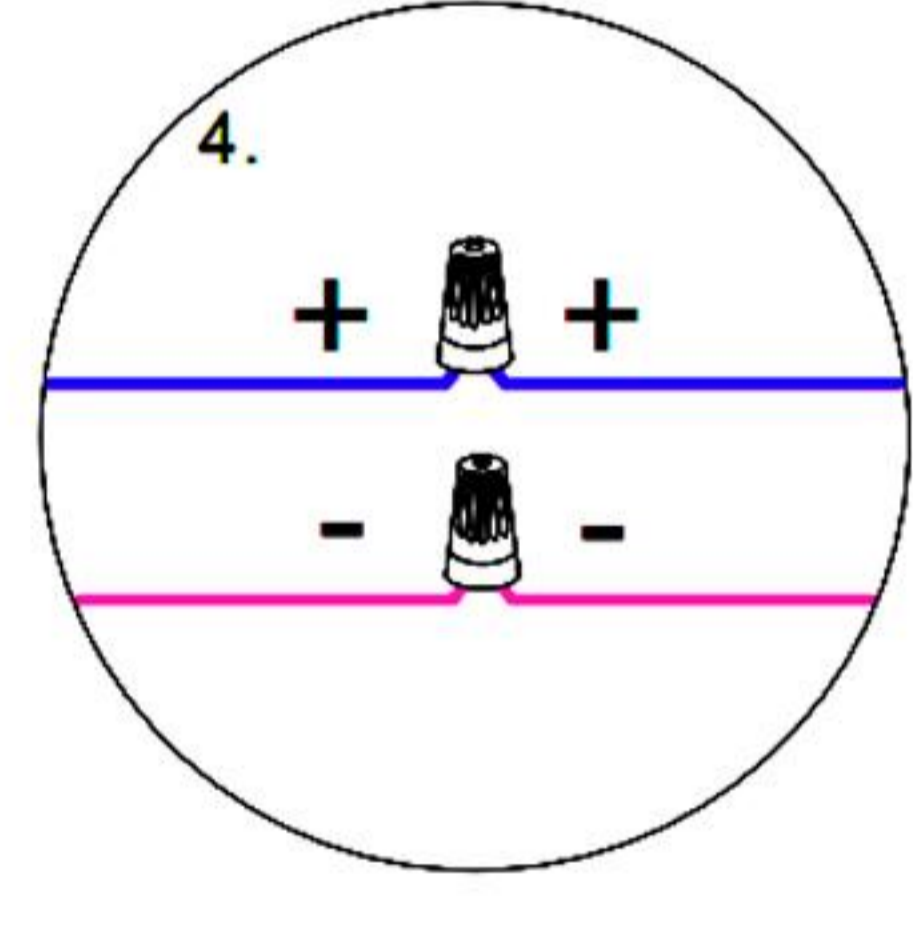
Route low voltage product wires through strain relief and knockout.



Securely connect driver's black wire (C-), yellow wire (W-) and red wire (+) to low voltage product, matching polarity.



If applicable, route 0-10V / 1-10V dimming wires through strain relief and knockout.



Connect pink wire (-) and purple wire (+) to dimmer, matching polarity. Secure wire compartment cover when completed.

Connecting Diagram Using TRIAC/Phase cut dimming

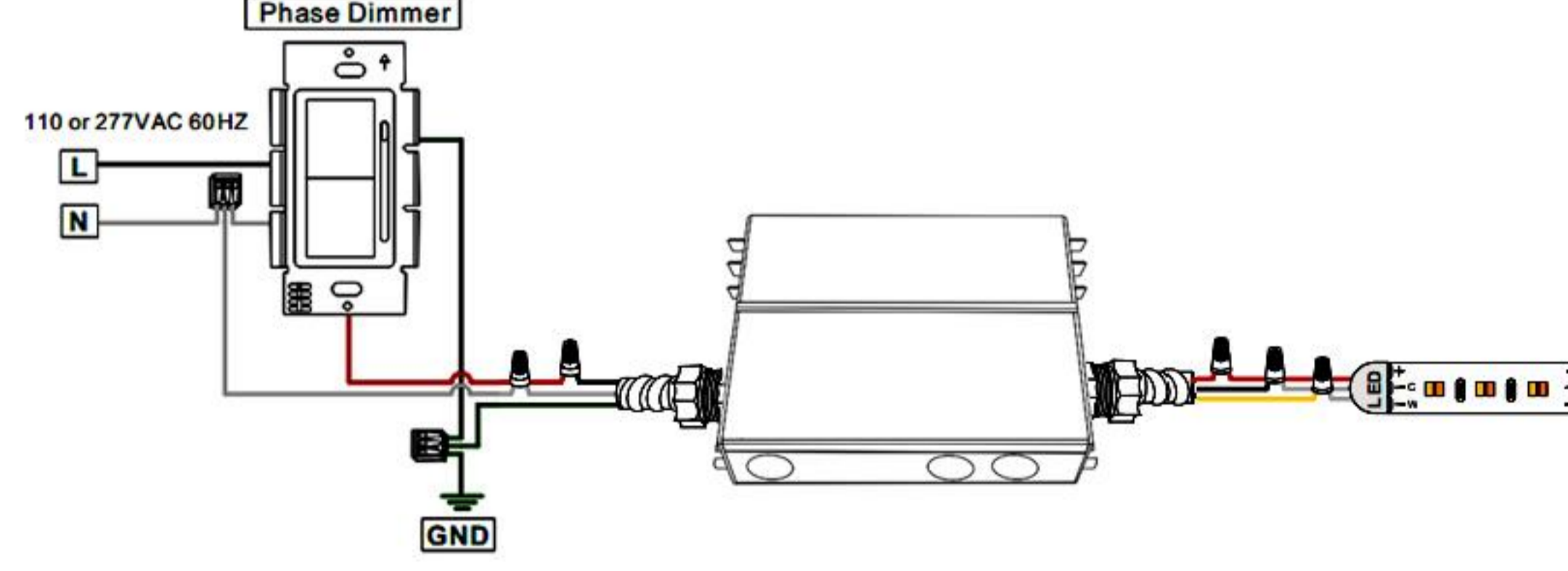
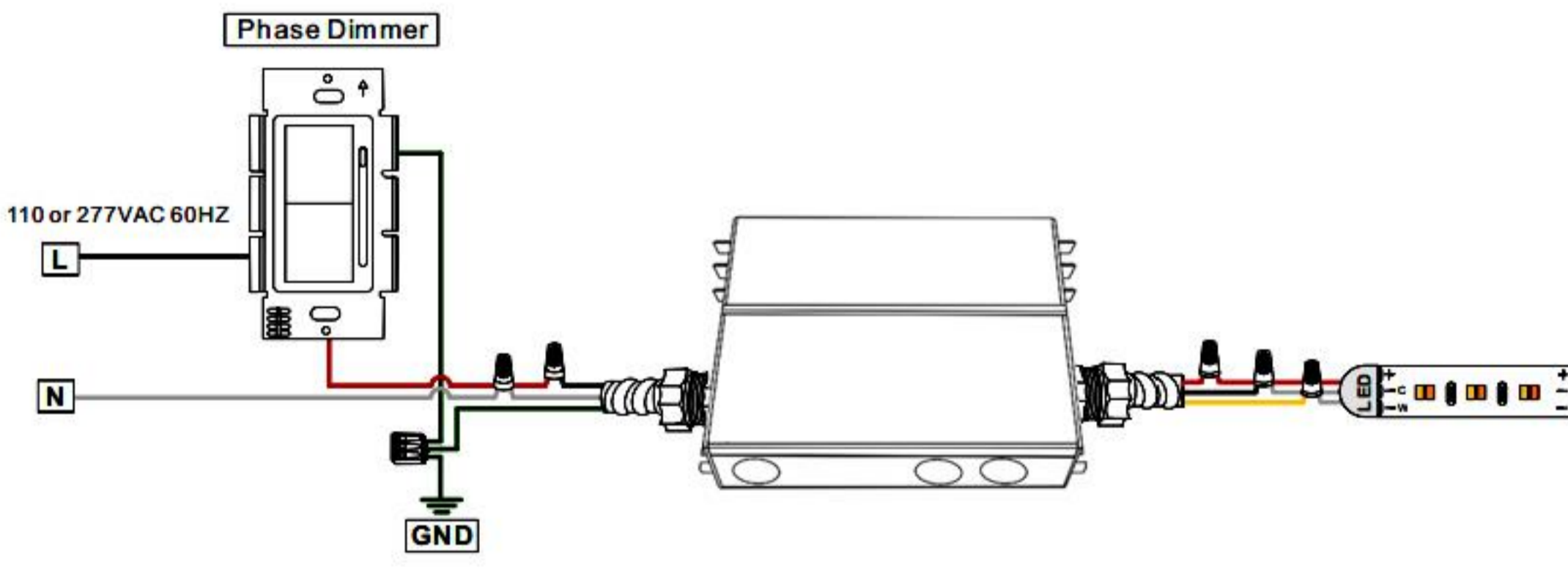
1. Through a phase-dimmer or lighting system, control the input AC phase line (L) and adjust the output PWM
2. Triac dim mode: Forward phase & reverse phase, MLV, ELV dim
3. Please try to use dimmers with power at least 1.5 times as the output power of the driver.

Wiring Diagram

Works with Two channel CCT warm-dim LED strip/tape (3 wires)

Using Triac/MLV wiring diagram

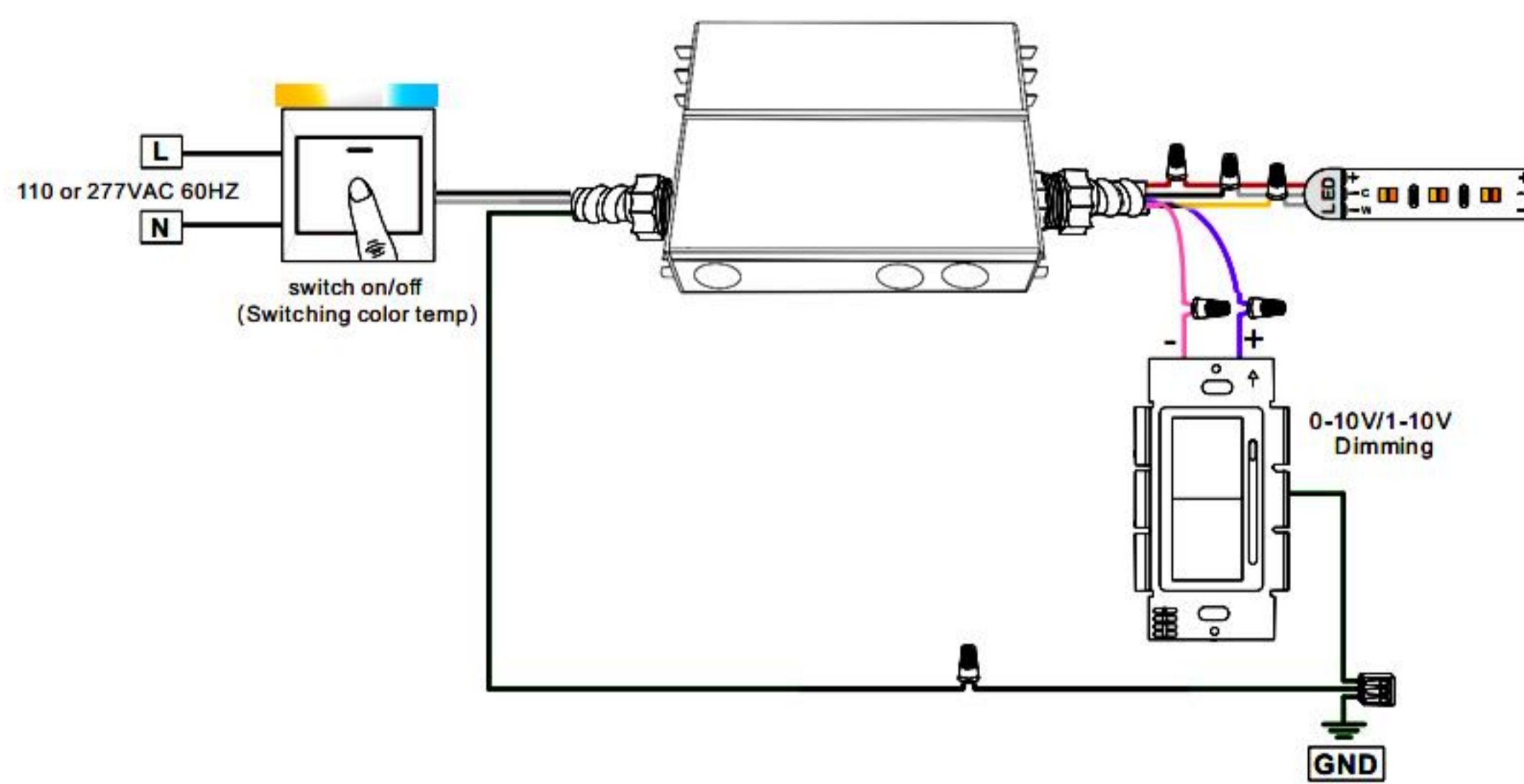
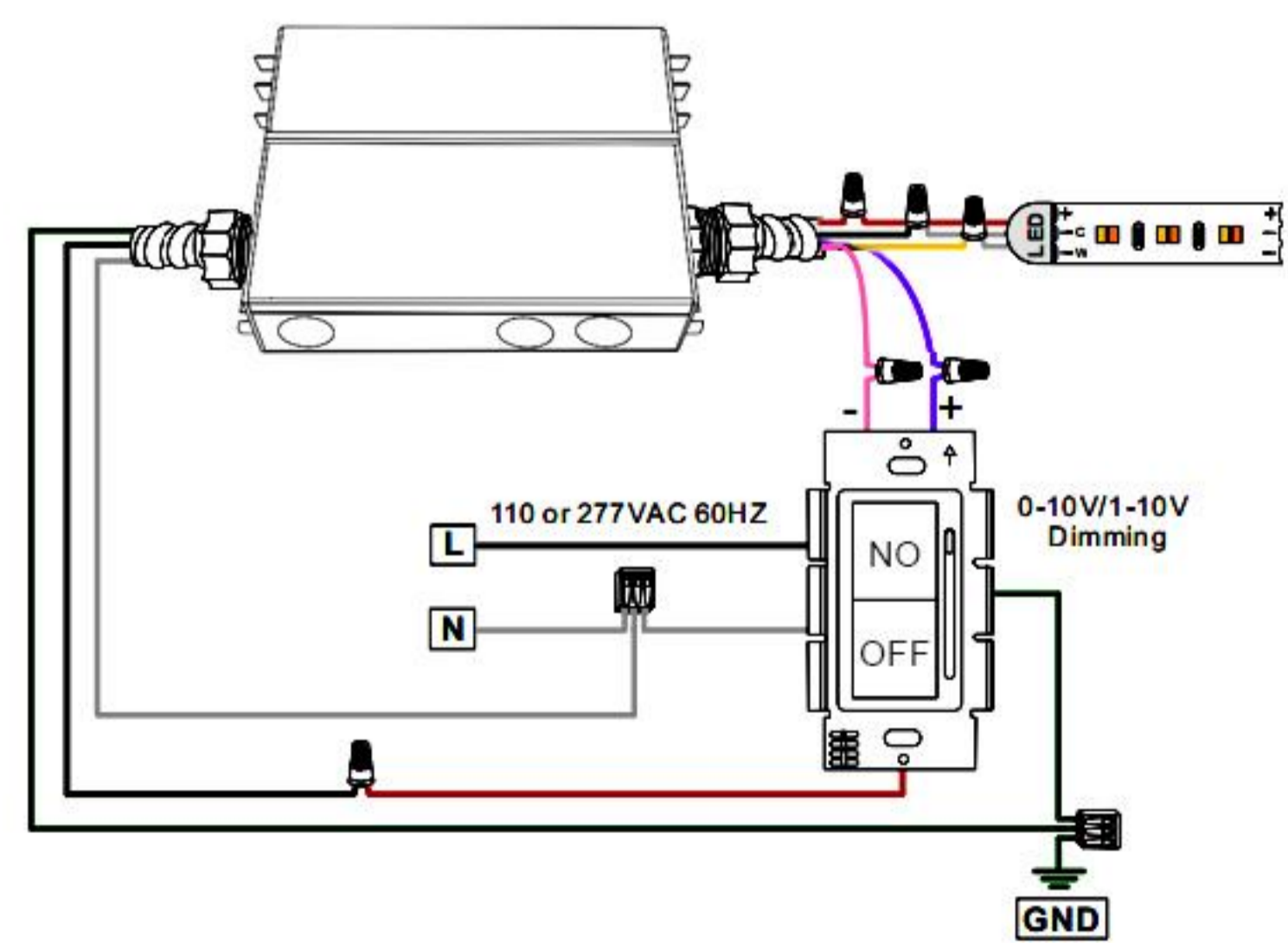
Using Triac/ELV wiring diagram



Double channel CW color temperature LED strip/tape (3wires)

Using 0-10/1-10V dimming (The driver input is connected to the dimmer)

Using 0-10/1-10V dimming (The driver is independently connected to the input)



Double channel CW color temperature LED strip/tape (3wires)

Load vs Ambient Temperature

